

COPENHAGEN DINING CHAIR



RETAIL PRICE £495.00 (INC. VAT)

PRODUCT INFORMATION

Mid-century inspired, our Copenhagen dining chair is upholstered in buttery soft black leather with brass details to the back. The curved back rest offers the perfect support - be warned your dinner guests may never leave!

PWL PRODUCT CODE

SKU: PWL57149

DIMENSIONS

W 50cm, D 50cm, H 70cm Seat Height 52.7cm

BOXED DIMENSIONS

60CM, 61CM, 76CM

WEIGHT

7 kg

COMPOSITION

Fibre foam and fibre blend, 100% leather, Birch frame, Oak Frame (Boucle option)

CARE ADVICE

Steam to remove compression marks

AVAILABLE UPHOLSTERY OPTIONS

Olive Velvet



Cream Boucle

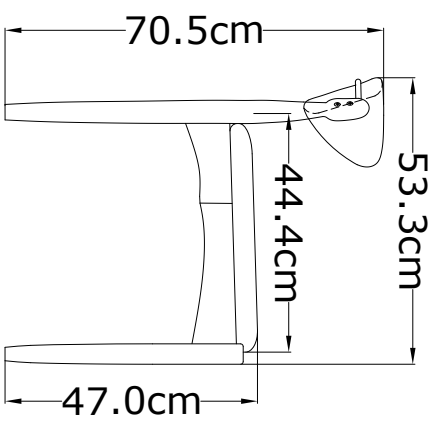
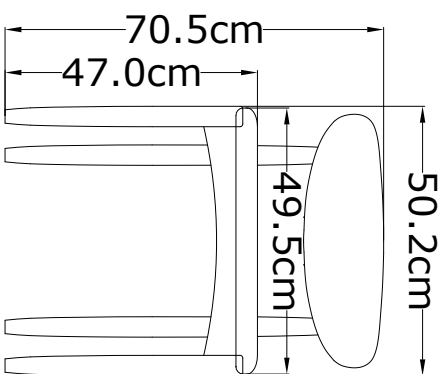
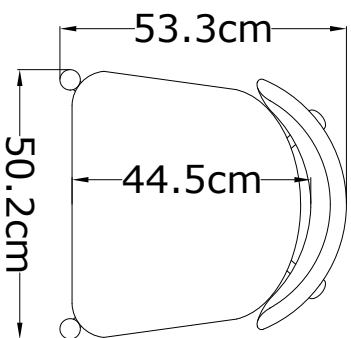


Rust Velvet



Black Leather





PURE WHITE LINES

EST. 2012

COPENHAGEN DINING CHAIR TECHNICAL DRAWINGS